

Installation Instructions for FortressCable V-Series Cable Panel System with UB-05 Brackets and Fe²⁶ Posts

It is the responsibility of the installer to meet all code and safety requirements, and to obtain all required building permits. The deck and railing installer should determine and implement appropriate installation techniques for each installation situation. Fortress Railing Products and its distributors shall not be held liable for improper or unsafe installations.

Fortress Fe²⁶ Posts must always be secured to the deck framing. Fortress Fe²⁶ Posts should never be attached to only the deck boards.

Read Instructions Completely Before Starting Installation

Note

When cutting Fortress railing, it is very important to complete the following at cut points.

- Remove all metal shavings from the cut area
- File any sharp edges left by cutting. Thoroughly wipe and remove any filings, grime or dirt from the railing.
- Apply two coats of Fortress zinc based touch-up paint to the cut area. If touch up is at rail ends, allow paint to dry before connecting bracket to post.
- Be sure to remove any metal shavings from the surface of deck, patio or balcony to prevent stains on the deck surface.

Torx Safety Tips

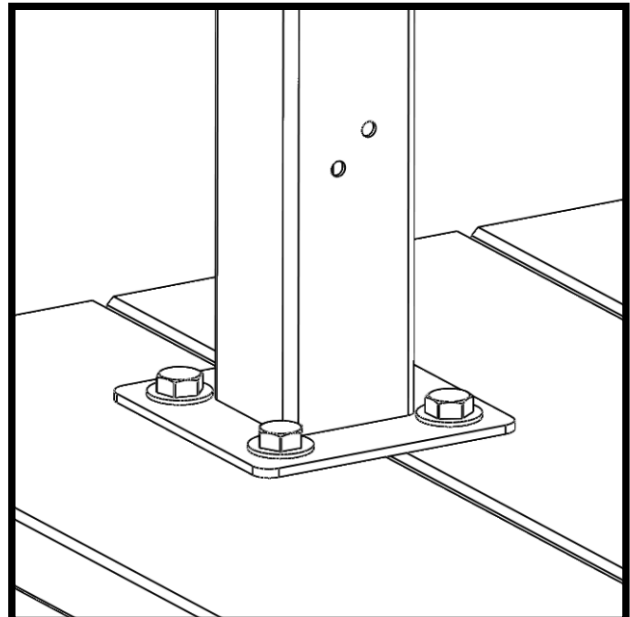
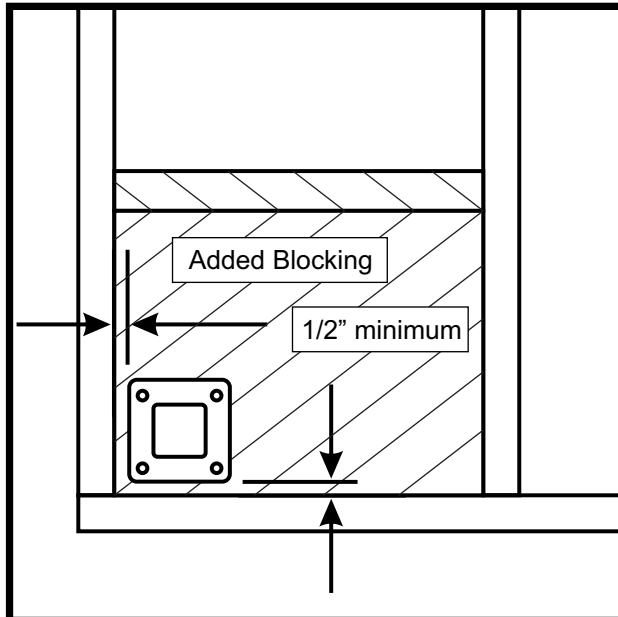
- Always pre-drill holes with a 3/16" drill bit.
- Always use the lowest speed setting on drill.
- To reduce chance of bit breakage, start tightening with drill on low torque setting and work up until screw is secured.

Required Materials

Portable Band Saw or Miter saw with metal blade, metric socket set, drill, 3/16" and 1/4" drill bits, T-25 driver bit, drill bit extender, tape measure, speed square, file, Tension gauge and touch-up paint

Mount Fe²⁶ Posts*

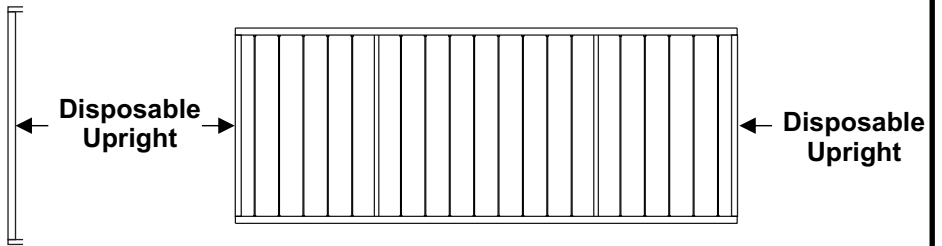
- Wood Blocking tied to deck frame must be installed and constructed with treated dimensional lumber with a minimum thickness of 1-1/2".
- Position the edge of Fe²⁶ Post base plate a minimum of 1/2" from the inside edge of rim joist.
- Mount Fe²⁶ Posts at appropriate points based on panel length.
- Attach Fe²⁶ Posts with 3/8" X 3-1/2" Hex Head Galvanized Bolts.



*Reference Fortress Fe²⁶ Post mounting instructions

Remove Panel From Packaging

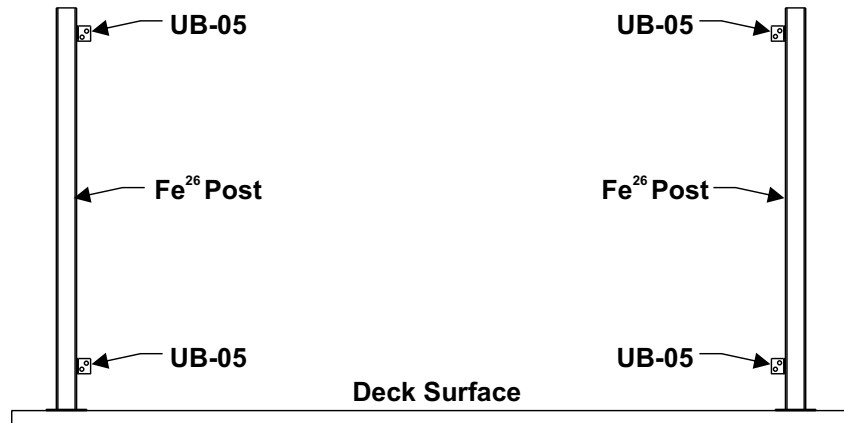
The Vertical Cable Railing Panel is packaged with a disposable upright at each end of the panel. Remove and discard the uprights.



Fortress Vertical Cable System Installation with Fe²⁶ UB-05 Brackets

Install Posts and UB-05 brackets. Brackets should be spaced according to the height of Fortress Vertical Cable Panel system being installed. Fortress Vertical Cable Panels are 34" or 40" systems.

Reference Fe²⁶ UB-05 instructions for bracket installation.



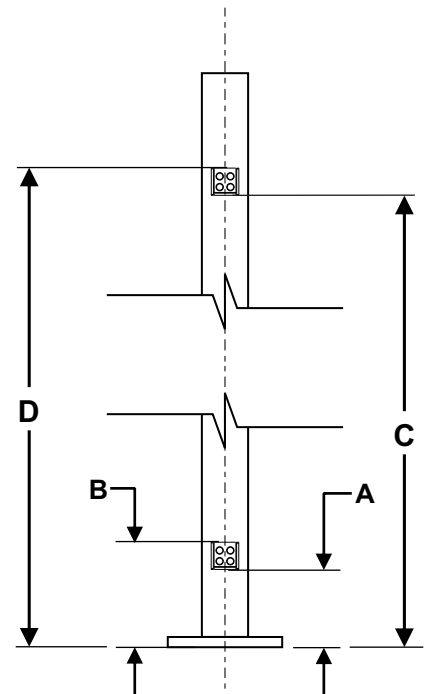
UB-05 Bracket Top and Bottom Locations for Fortress Vertical Cable System Installations

Pre-Drilling with a 3/16" drill bit is required.

Rail Panel Height	Pre-Drill Dimensions			
	A*	B	C	D
34"	3-5/8"	5-1/8"	36-3/8"	37-7/8"
40"	3-5/8"	5-1/8"	42-3/8"	43-7/8"

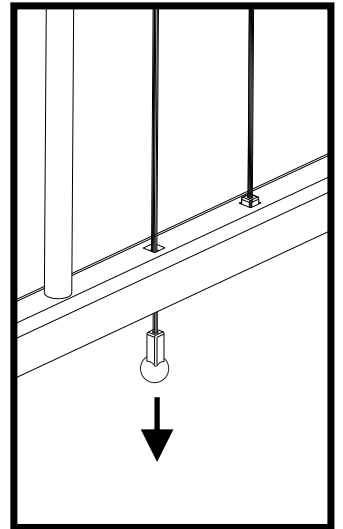
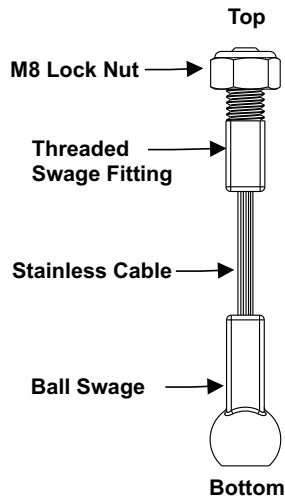
*Dimension A positions bottom edge of rail 3-3/4" above deck surface.
*Dimension A is measured from the bottom surface of post base.

Remove all metal shavings from deck, post base cover, post, and panel before bracket is screwed to post to prevent rust stains.



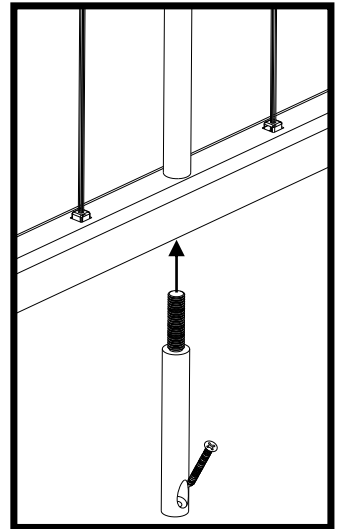
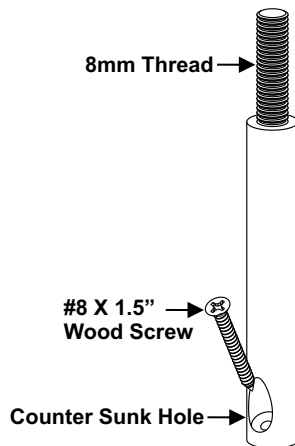
Measure and Cut Fortress Vertical Cable System

- Measure the distance between the installed UB-05 Brackets.
- Using a metal cutting blade, cut the rail at the four cutting mark locations from previous step. It is advisable to make a practice cut on a scrap piece of rail before proceeding with the finish cuts.
- Cut Rails so that there is an equal distance between the last cable and the end of rails.
- **File cut edges and coat with 2 coats of Fortress zinc based touch-up paint.**
- Vertical Supports and Cables can be relocated to maintain even spacing.
- To remove a cable, completely remove the hex nut located in the Top Rail and pull the cable assembly through the bottom rail.



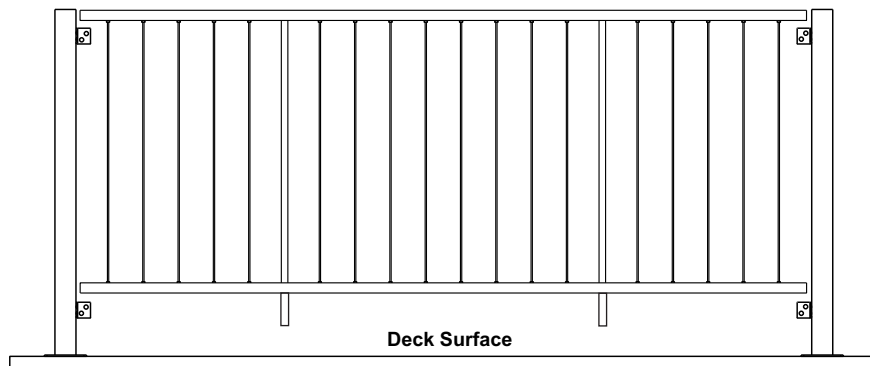
Install Fortress Vertical Cable I-Supports

- For installations that span 24" or more Fortress Vertical Cable I-Supports are required.
- For installations with spans up to 6' one Vertical Support and I-Support is required.
- For installations with spans 6' to 8' two Vertical Supports and I-Supports are required.
- Position Vertical Support(s) so that they are centered or equally spaced across the span.
- Replace the 8mm Hex Bolt that secures the Vertical Support to the Bottom Rail with the I-Support assembly.
- Hand tighten the I-Support to the Vertical Support and position counter sunk hole so that it accessible.
- Secure I-Support to deck with the included #8 X 1.5" Flat Head Wood Screw.



Install Fortress Vertical Cable System into the Fe²⁶ UB-05 Brackets

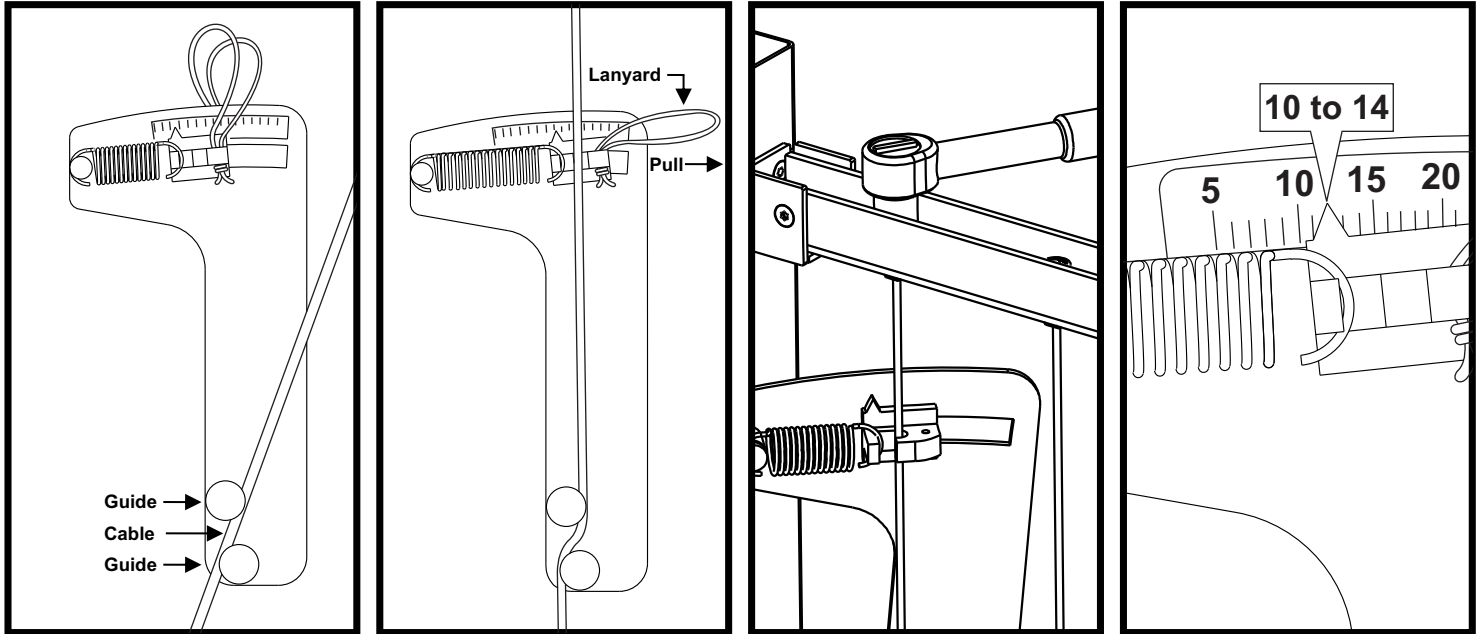
- Insert top and bottom rails into installed brackets.
- Using a 3/16" drill bit pre-drill the top and bottom rails at each UB-05 Bracket. Secure top and bottom rails to UB-05 Brackets with supplied T-25 Thread Cutting Screws. Only one screw is required to secure the rail at each UB-05 bracket.



Tightening the Fortress Vertical Cable System

DO NOT Over Tighten Cables

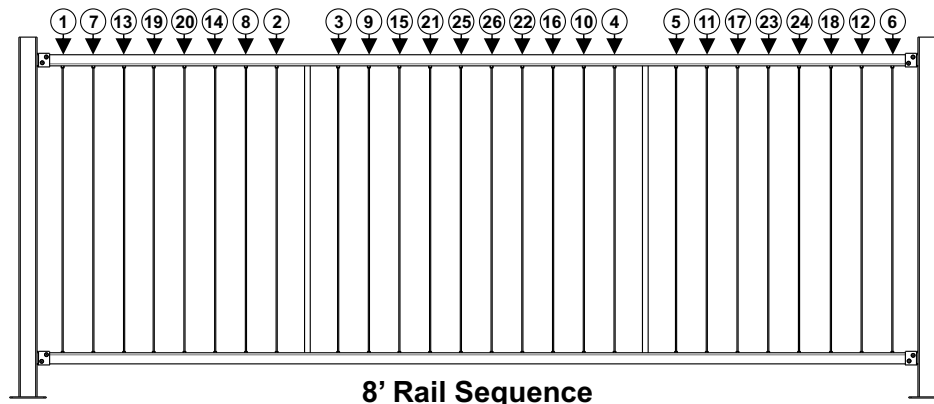
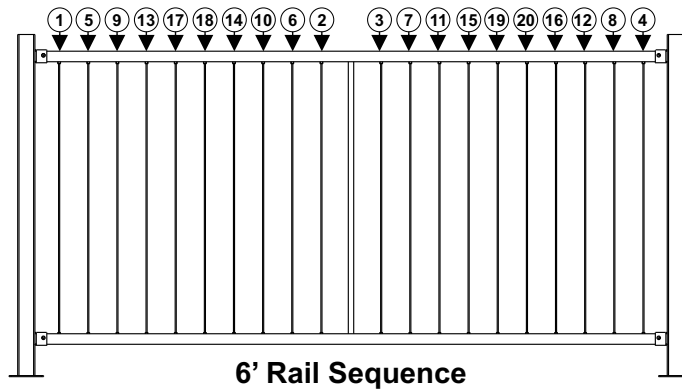
- A properly tensioned cable should be tensioned until the indicator reads between 10 and 14.
- Use a Fortress Cable Tension Gauge to accurately tension the cables.
- See images below for information on how to load cable into the tension gauge.
- Position cable between lower guides.
- Pull the lanyard and extend the spring until the cable is engaged with the hook in the indicator slide.
- The Fortress Vertical Cable System uses 1/8" diameter cable.
- Use a 13mm Socket Wrench to tighten the cables in the sequence shown below.
- Tighten cable until the indicator arrow is between 10 and 14 on the tension gauge.



Cable Tensioning Sequence

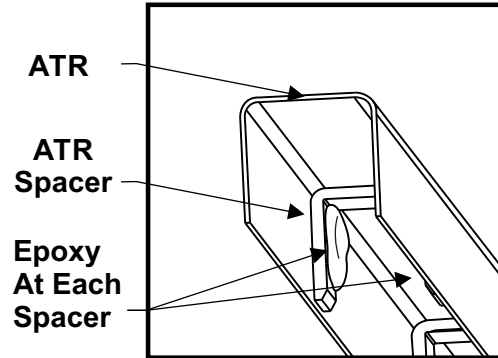
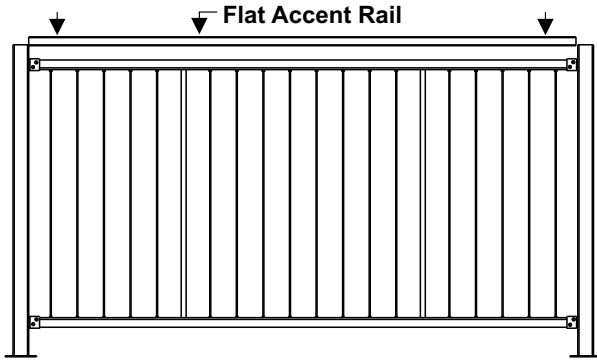
Remove the slack from the cables using the socket wrench, once the slack is removed, only tension the cables one turn at a time in the sequence shown to maintain even tensioning across the panel.

Once cables are tensioned to the proper range on the tension gauge you may now move onto the next steps.



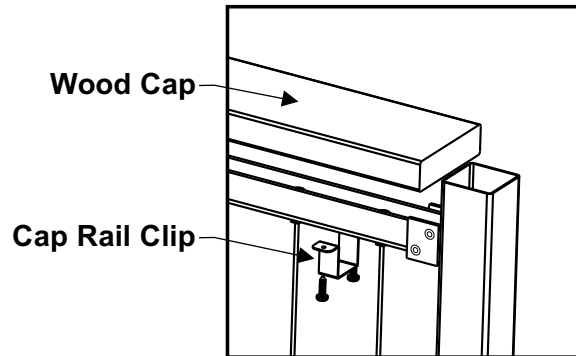
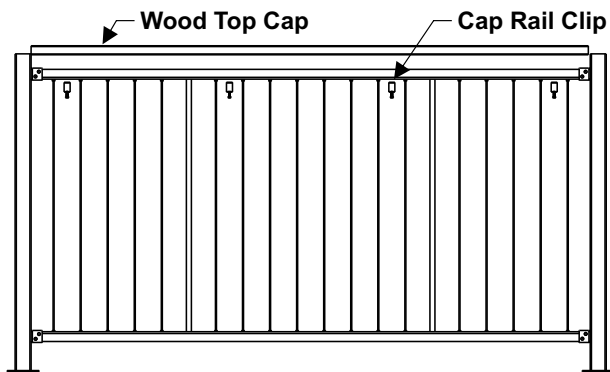
Install Flat Accent Top Rail (ATR) - Option 1

- Measure the distance between posts.
- A minimum of two ATR Spacers are required in order to ensure proper fit of ATR.
- Transfer that measurement to the ATR and cut a equal distance from each end of ATR. Check the fit of ATR.
- File any rough edges from cuts and apply zinc based touch up paint.
- Apply a quarter sized drop of epoxy to the side walls of each ATR Spacer. Follow cure times specified on epoxy packaging.
- Install ATR onto rail and wipe away any excess epoxy with a clean cloth.
- Let epoxy cure. Do not apply any force to installed ATR for 2 hours.



Install Wood Top Cap - Option 2

- Use a Wood Top Cap to finish the Top Rail.
- Cut Wood Top Cap to length and secure to Top Rail with Fortress Cap Rail Clips.
- Cap Rail Clips should be equally spaced along the length of Wood Top Cap (**Max Spacing is 28"**).



Install UB-05 Caps

- When using a Wood Top Cap and installing the UB-05 Caps on the Top Rail, the Caps should be installed upside down as shown.
- If using a Fortress Flat Accent Rail, UB-05 Caps will not be used on the Top Rail.

