

## Installation Instructions for Fortress Fe<sup>26</sup> Fascia Mount Brackets

It is the responsibility of the installer to meet all code and safety requirements, and to obtain all required building permits. The deck and railing installer should determine and implement appropriate installation techniques for each installation situation. The Fortress Company or its distributors shall not be held liable for improper or unsafe installations.

Fortress Fe<sup>26</sup> Posts must always be secured to the deck framing. Fortress Fe<sup>26</sup> Posts should never be attached to only the deck boards.

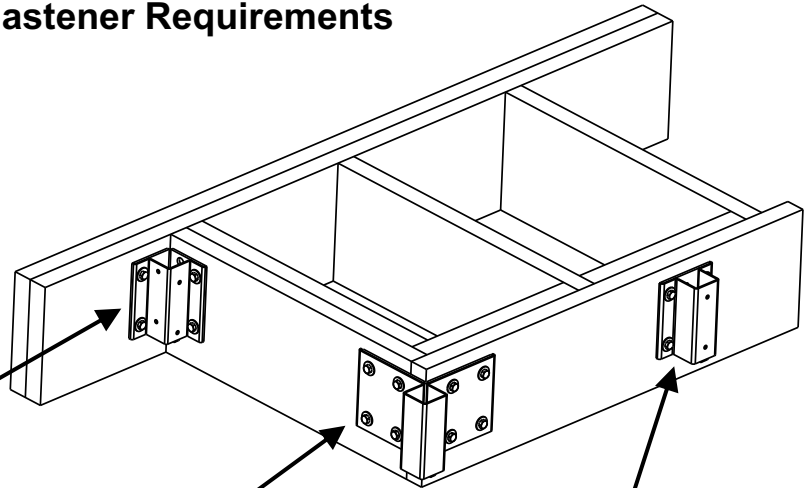
### Read Instructions Completely Before Starting Installation

#### Required Materials

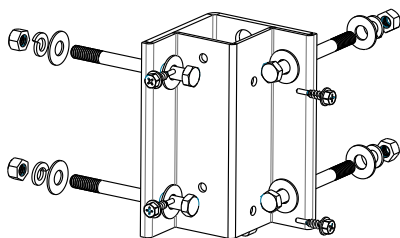
Eye Protection, Fasteners (see instructions), Drill, 3/8" Drill Bit, 9/16 Driver Bit, 15/64 Drill Bit, 10mm Driver Bit, Tape Measure, Wrenches, Fortress Touch Up Paint Pen, Square and Pencil

#### Fortress Fe<sup>26</sup> Fascia Mount Bracket Fastener Requirements

- 3/8" Hex Head Bolts, Nuts, Washers and 3/8" Lag Bolts are NOT INCLUDED.
- USE Galvanized or Stainless Steel Fasteners
- When installing Fortress Fe<sup>26</sup> Fascia Mount Brackets to a wood deck use the fasteners shown below for each bracket type.
- When installing Fe<sup>26</sup> Fascia Mount Brackets to concrete, check your local building code for correct anchors.

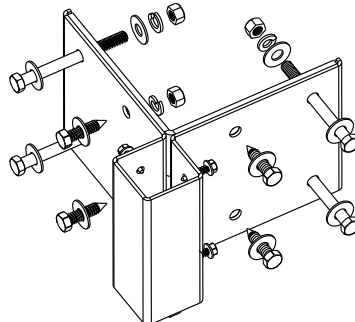


##### Inside Corner



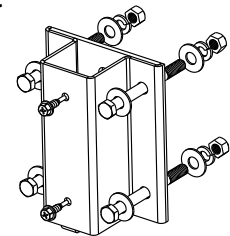
- 4 - 3/8" Hex Bolt
- 8 - 3/8" Flat Washer
- 4 - 3/8" Lock Washer
- 4 - 3/8" Nut
- 4 - #10 Self Drilling Screw (Included)

##### Outside Corner



- 4 - 3/8" Hex Bolt
- 4 - 3/8" X 1-1/2" Lag Bolts
- 12 - 3/8" Flat Washer
- 4 - 3/8" Lock Washer
- 4 - 3/8" Nut
- 4 - #10 Self Drilling Screw (Included)

##### Straight



- 4 - 3/8" Hex Bolt
- 8 - 3/8" Flat Washer
- 4 - 3/8" Lock Washer
- 4 - 3/8" Nut
- 2 - #10 Self Drilling Screw (Included)

## Fortress Fe<sup>26</sup> Fascia Mount Bracket Installation

- Always check local building codes for structural requirements.
- Reinforce fascia board with blocking as shown below.
- Fortress Fe<sup>26</sup> Fascia Mount Brackets install flush with the fascia board. If deck boards overhang the edge of the fascia board the deck boards must be notched to fit around the posts.
- Top edge of Fortress Fe<sup>26</sup> Fascia Mount Brackets should be a minimum 1" from top edge of fascia board.
- Use a speed square to help position Fe<sup>26</sup> Fascia Mount Brackets.
- Insert Fortress Fe<sup>26</sup> Post until post is resting on the bottom of the Fe<sup>26</sup> Fascia Mount Bracket.
- Before tightening fasteners, check that post is square to the deck surface. Make adjustments as necessary.
- Secure Fe<sup>26</sup> Posts to Fe<sup>26</sup> Fascia Mount Bracket with included 10mm self drilling screws.

